

SKY

OWNER'S MANUAL

SKYLAM 1120 / 720 / 380

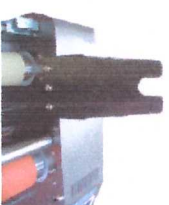


* Read all instructions carefully before use.

* To avoid fire or electric shock, do not expose the products to rain or moisture.

ASSEMBLY OF THE SKY LAM LAMINATOR

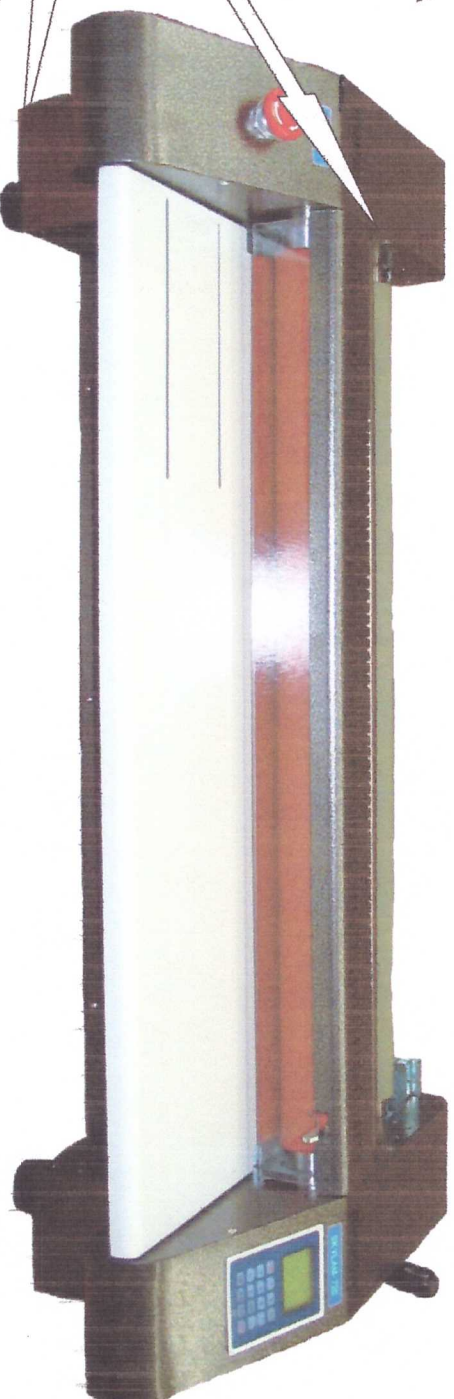
Notice the notch in the brackets,
they go to the left hand side of the machine



Bolt bracket A



B A



Bolt bracket B



Bolt brackets in correct position

1. INTRODUCTION	3
2. SAFETY PRECAUTIONS	3
3. INSTALLATION	4
4. SPECIFICATION	4
5. PRODUCT IDENTIFICATION	5
6. CONTROL PANEL	6
7. HOW TO PERFORM THE MACHINE	7
8. TEMPERATURE AND SPEED MEMORY SETTINGS	9
9. ROLLER TENSION SETTINGS	9
10. MAINTENANCE	10
11. TROUBLE SHOOTING	10

1. INTRODUCTION

Thank you for choosing SKYLAMinator. It has been designed and manufactured to provide years of continuous service. For complete operating and maintenance information, please read this manual thoroughly. Upon receipt your laminator, please inspect the box, the machine and all other contents for shipping damage. Damage should be brought to the immediate attention of the delivering carrier

2. SAFETY PRECAUTIONS

Failure to comply with any of the following safety procedures could result in serious injury.

Please read the instructions carefully and keep this manual for future reference.

1. Only a licensed electrician should install wiring and outlet for the laminator.
2. Ensure the unit is plugged into a properly grounded outlet with the correct voltage.
3. Do not allow articles of clothing (neckties, scarves, etc,) near front or near machine openings as they could get caught by rollers and be pulled inside, causing serious personal injury.
4. Keep flammable and wet objects away from the machine.
5. To prevent possibility of electrical shock, do not immerse machine in water or permit liquid to spill in side.
6. Avoid excessive sunlight, humidity and extreme temperatures.
7. Ensure the machine is turned off, cooled down and unplugged from the outlet prior to moving or repairs.
8. Keep away from children.
9. Close supervision is necessary when any appliance is used by or near children.
10. Do not open the case without authorized technicians.
11. Do not attempt to laminate items that exceed total recommended material thickness for the unit.
12. Do not touch the rollers when it's hot status.
13. Do not use flammable sprays or materials when cleans the machine.

3. INSTALLATION

WARNING : The laminator should be installed by a trained service technician.

The laminator comes fully assembled, except for the guide table to avoid shipping damage.

Upon arrival, thoroughly inspect the unit. It is imperative that any shipping damaged is reported and claim is filed with the delivering carrier immediately upon receipt.

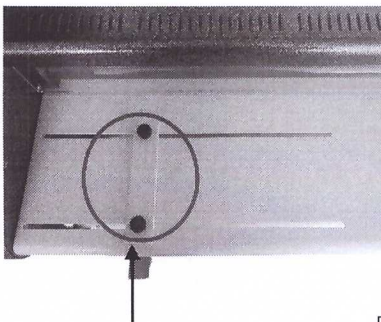
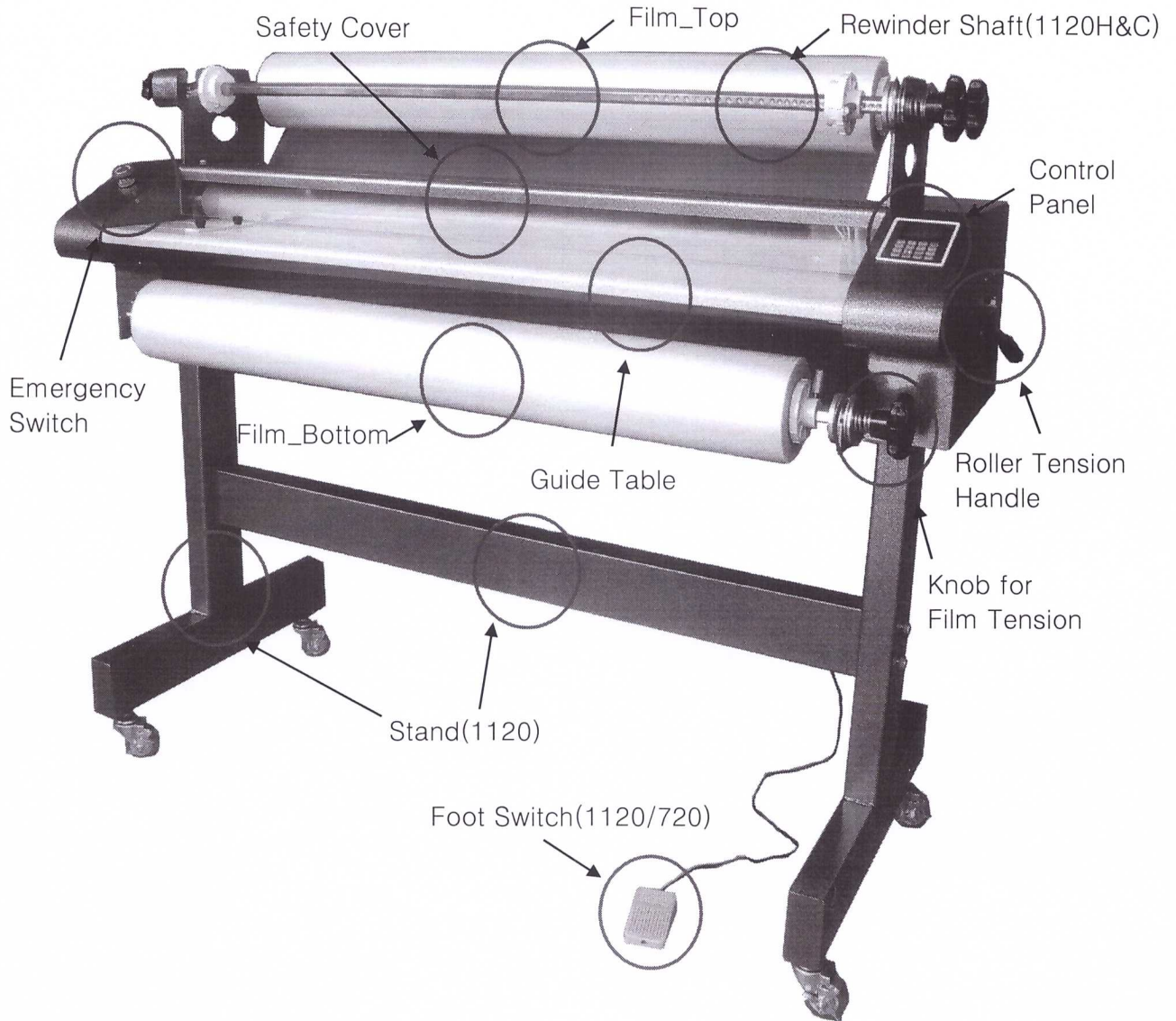
The laminator should be located in an area with adequate work space for feeding graphics and lamination materials. Avoid placing the laminator in a dusty area or near sources of extreme heat or cold.

Once the laminator is in right place, lock the casters into position. Always unlock the casters when moving to a different location.

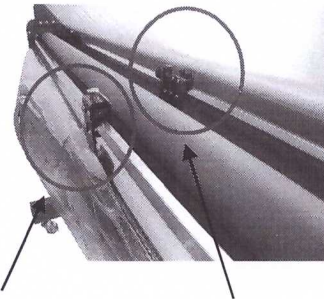
4. SPECIFICATION

MODEL	SKYLAM 380	SKYLAM 720	SKYLAM 1120
Max. Laminating width	350mm (13.8")	700mm (27.6")	1100mm (43.3")
Max. Laminating speed	4m / mins	4m / mins	4m / mins
Thickness of Mount	13 mm	13 mm	13 mm
Heating system	Heating Roller	Heating Roller	Heating Roller
Q'ty of roller	4	4	4
Temperature control	Yes	Yes	Yes
Speed control	Yes	Yes	Yes
Display	LCD	LCD	LCD
Preheating time	8 - 10 mins	8 - 10 mins	8 - 10 mins
Power supply	AC100 - 240V (50/60hz)	AC100 - 240V (50/60hz)	AC220 - 240V (50/60hz)
Power consumption	1,550 watts	1,550 watts	1,900 watts
Film Core Size	1", 58, 3" (All in One)		
Dimension (Stand is not included)	700 x 460 x 272mm	1040 x 460 x 272mm	1440 x 460 x 272mm
Weight	50kgs	70kgs	110kgs
Operation temperature	0-150 °C	0-150 °C	0-150 °C

5. PRODUCT IDENTIFICATION

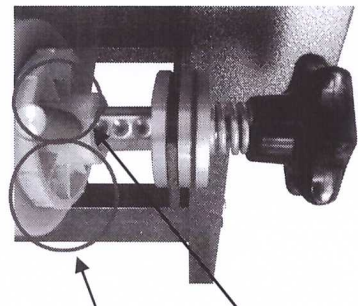


Laminating Guide



End Cutter

Side Cutter(1120/720)

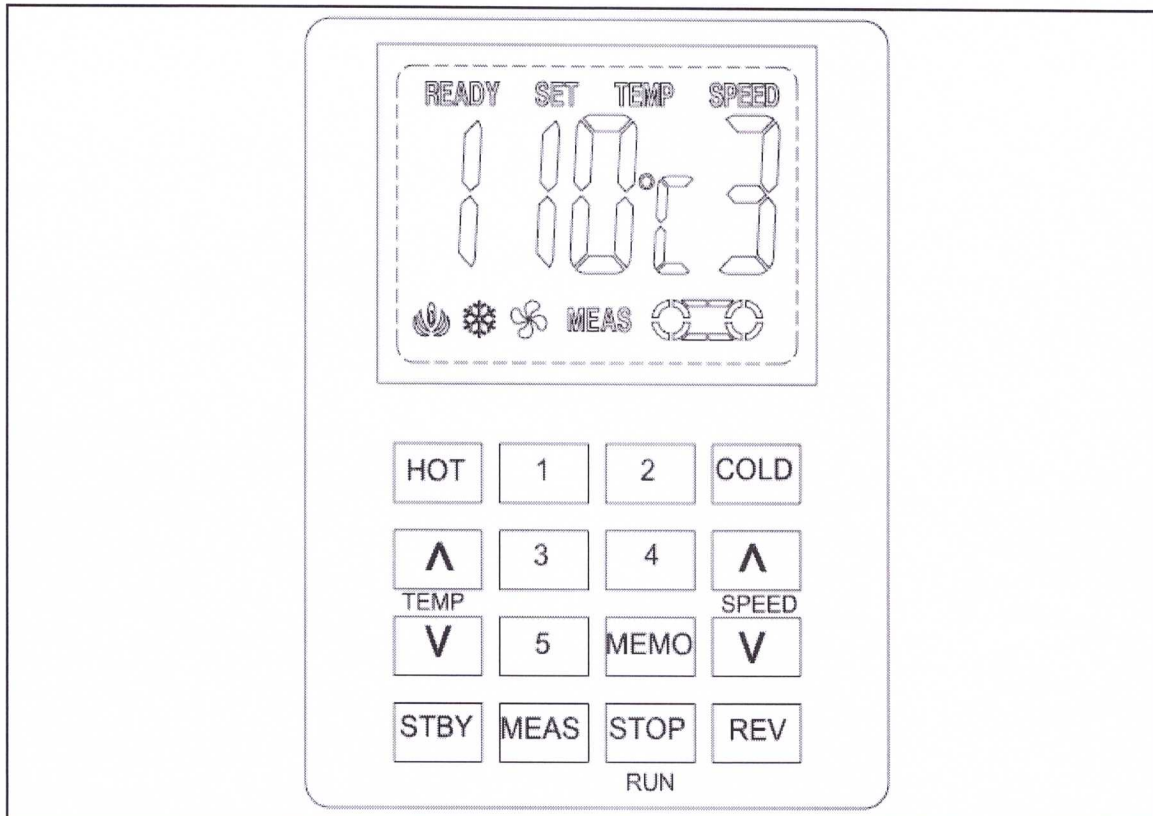


Core 1~3"

Core Bolt
(1120/720)

6. CONTROL PANEL

When the machine is initially turned on, the LCD window will display the last working preset memory setting

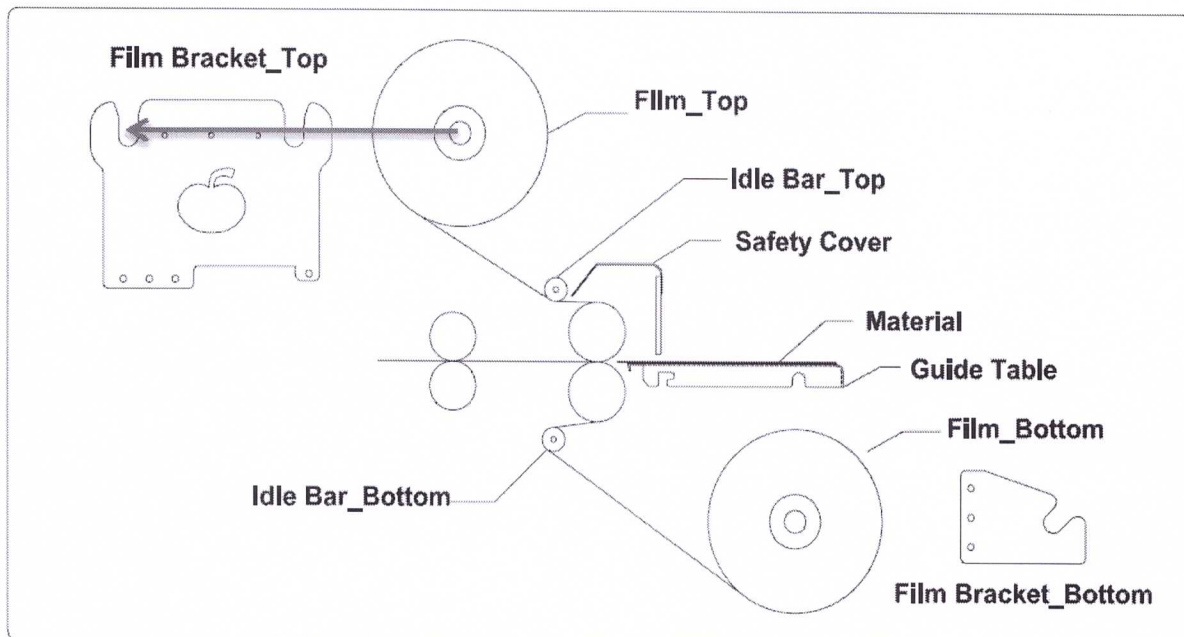


1. TEMP ▲▼ : Adjust temperature.
2. SPEED ▲▼ : Variable speed from 1~9.
3. STBY : Temperature is set to 85°C.
3. MEAS : Measures actual roller temperature.
4. STOP : Stops rollers and Run rollers.
5. REV : Reverse action.
6. HOT : Initial setting to 110°C, speed 3.
7. COLD : Cold laminating.
8. MEMO : Memory function.
9. READY : When the preset temperature is reached.
10. Rollers are running.
11. Fans are running.

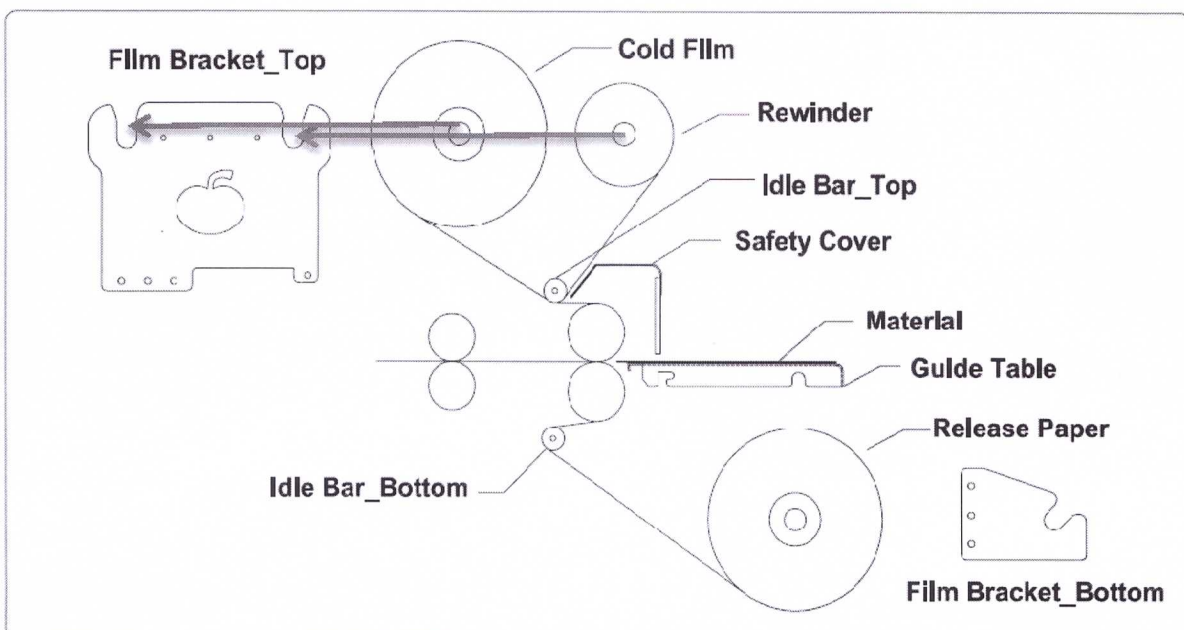
7. HOW TO PERFORM THE MACHINE

1. Install the top and bottom film brackets.
2. Load the films. (The adhesive side facing the inside of roll = adhesive in)

Hot Laminating for SKYLAM 1120 / 720 / 380



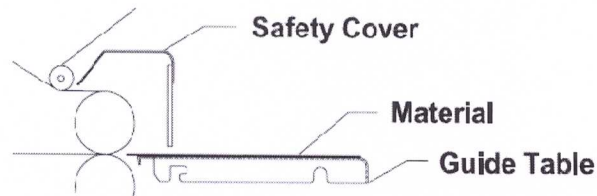
Cold Laminating for SKYLAM 1120 (Hot & Cold)



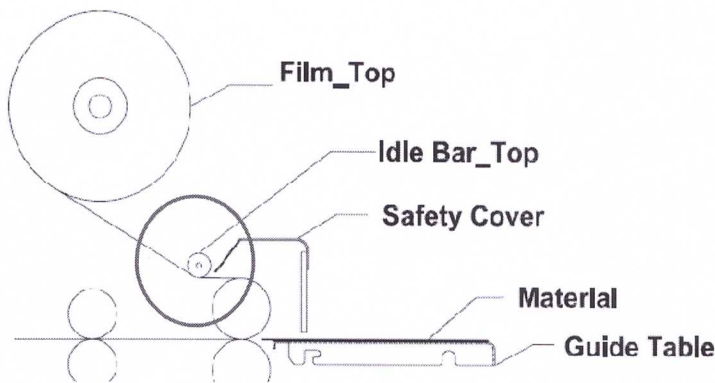
3. Turn the power switch on. Power switch is located in the rear of the unit.

4. Remove the Safety Cover.

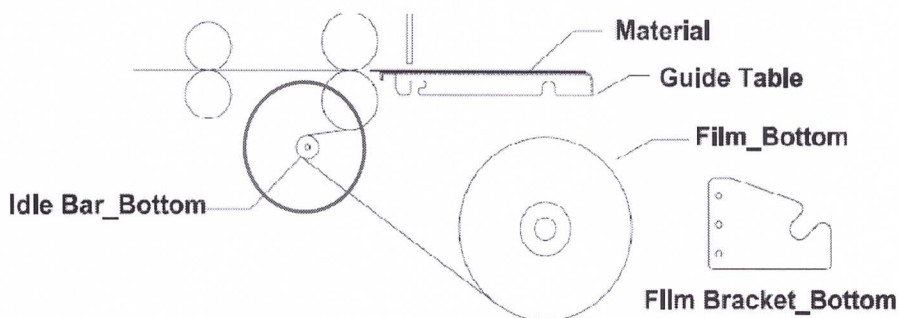
5. Remove the Guide Table.



6. Pull down the top film through the **Idle Bar_Top** and attach it on the bottom roller.



7. Pull up the bottom film through the **Idle Bar_Bottom** and attach it on the top film of top roller.



8. Set the Safety Cover and Guide Table.

9. Set the temperature and Speed

10. Align the material on the guide table and push the foot switch.

11. After the laminated material pass the press roller, push the foot switch to stop

12. Make the roller tension handle set at the upper side.

13. Carefully pull up the laminating material in the back side of machine.

14. When it is ready, you can laminate.

8. TEMPERATURE AND SPEED MEMORY SETTINGS

You can set the temperature and speed for your convenient work through MEMO button.

You will receive the machine which set in factory. But you can change the MEMO value from 1~5.

► Factory pre-set memory value

MEMO	Temp(°C)	Speed
1	50	2
2	110	2
3	115	2
4	120	3
5	125	3

► How to change memory value

1. Press MEMO button for 2 seconds, then flicker Temperature and Speed.
2. Up and down temperature and speed
3. Press 1 ~ 5 button

! Attention : If you don't use for 1 hours, the temperature will go to 85°C of temperature.

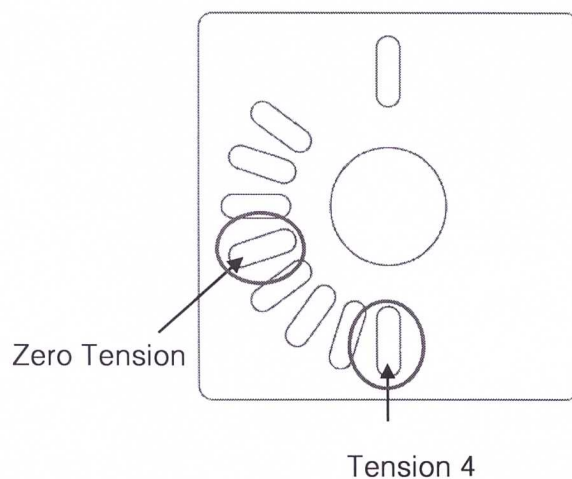
Also when you press the StBy button, the temperature will go to 85°C of temperature.

Finally if you don't use 1 hours after StBy mode, the power will be shut down automatically.

9. ROLLER TENSION SETTINGS

► Generally it is used in Tension 4.

! Attention : If you don't want to laminate, make the roller tension handle set at the Zero tension in the right image.



10. MAINTENANCE

1. Lift up the rollers with Roller Press Handle, when it is not in use.

This will prevent the machine overheated.

2. Be sure to switch it off after use.

3. Operating with one roll of laminating film or when the upper and lower side of film is not in correct position may leave melted resin on the rollers and it may damage the following lamination.

4. Adjust adequate tension on the film with tension handle. If the tension is too tight, the film can be stretched.

5. Keep clean the rollers every time after use.

Remained resins and dusts can cause low laminating quality

11. TROUBLE SHOOTING

Symptom	Cause	Possible solution
Machine will not turn on	<ul style="list-style-type: none"> a. Power plug is not plugged in. b. Power switch is "off" position. c. Tripped circuit breaker. d. Blown main power fuse. 	<ul style="list-style-type: none"> a. Plug the power cord into appropriate outlet b. Put the power switch to the "on" position. c. Reset the circuit breaker. d. Replace the fuse.
There is power, but the rollers are not running after the hot button is pressed:	a. Emergency switch is engaged.	a. Disengage the emergency switch.
	b. Safety cover is not closed.	b. Close the safety cover to active the safety switch.
	c. Guide table is not installed correctly.	c. Properly install the paper guide so that the micro switch is activated.
	d. Blown motor fuse.	d. Replace the motor fuse.
The unit is not heating up	a. The machine is in "COLD" mode.	a. Switch to "HOT" mode.
	b. Set temperature is lower than the room temperature.	b. Raise the temperature according to the recommended film temperature.
Curled lamination	a. Upward curl	a. Loosen the top roll film tension.
	b. Downward curl	b. Loosend the bottom roll film tension.
Unclear lamination	a. The main roller temperatures are too low and lamination speed is too fast.	a. Raise the roller temperatures and lower the lamination speed.